

**COASTAL PERFORMANCE**  
by Sunrise Windows, LTD.

# Series 7220 Coastal Performance Single Hung Window "IMPACT"

## GENERAL NOTES

1. This product has been evaluated and is in compliance with the 6th Edition (2017) Florida Building Code (FBC) structural requirements excluding the "High Velocity Hurricane Zone" (HVHZ).
2. Product anchors shall be as listed and spaced as shown on details. Anchor embedment to base material shall be beyond wall dressing or stucco.
3. When used in areas requiring wind borne debris protection this product complies with FBC Sections 1609.1.2 & R301.2.1.2 and does not require an impact resistant covering. This product meets missile level "D" and includes Wind Zone 3 as defined in ASTM E1996 and FBC Sections 1609.1.2.2 & R301.2.1.2.1.
4. For 2x stud framing construction, anchoring of these units shall be the same as that shown for 2x buck masonry construction.
5. Site conditions that deviate from the details of this drawing require further engineering analysis by a licensed engineer or registered architect.

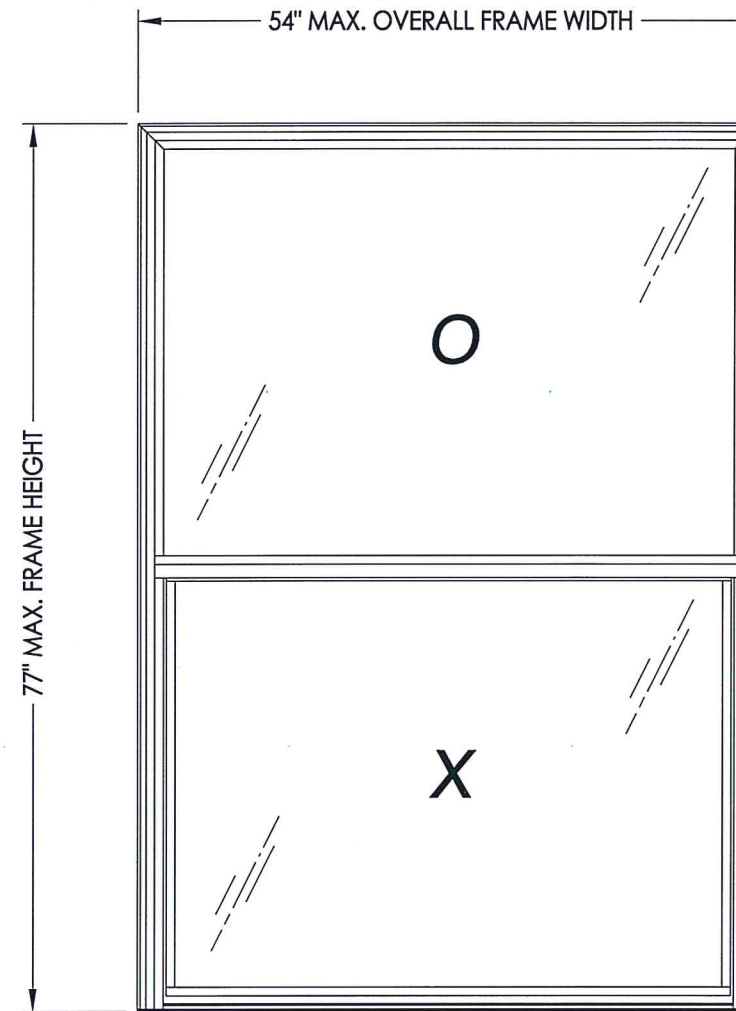
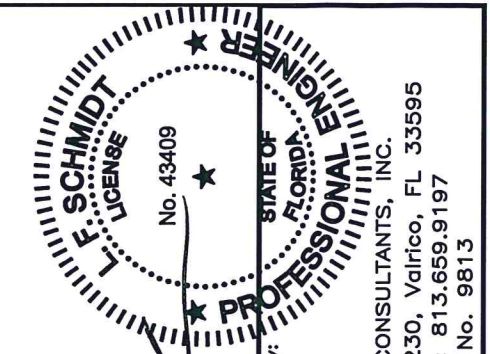


TABLE OF CONTENTS	
SHEET#	DESCRIPTION
1	Typical elevations, design pressures & general notes
2	Vertical & horizontal cross sections
3	Buck & frame anchoring
4	Components
5	Bill of materials and glazing details

MAX. OVERALL FRAME DIMENSION	MAX DAY LITE DIMENSION (OPERABLE)	MAX DAY LITE DIMENSION (FIXED)	GLASS TYPE	DESIGN PRESSURE (PSF)	
				POS.	NEG.
54.0" X 77.0"	47.5" x 35.25"	49.5" x 35.19"	G1	+50.0	-60.0



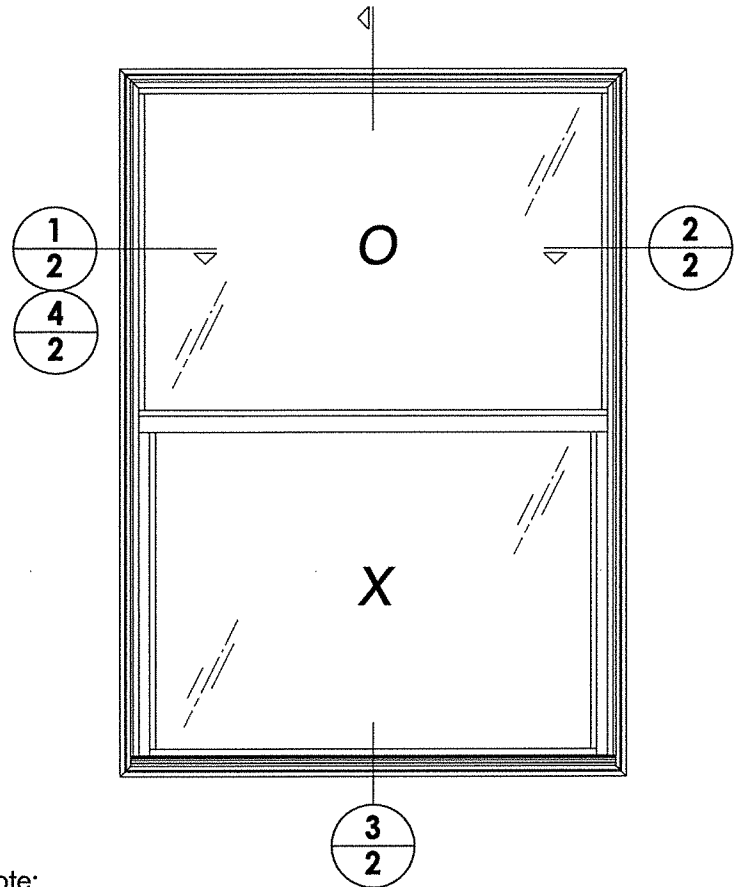
Documents Prepared By:  
Lyndon F. Schmidt  
P.E. No. 43409  
4-9-18  
R.W. BUILDING CONSULTANTS, INC.  
P.O. Box 230, Valrico, FL 33595  
Phone No.: 813.659.9197  
FBPE C.A. No. 9813

PRODUCT: SINGLE HUNG WINDOW  
PART OR ASSEMBLY: TYPICAL ELEVATION, DESIGN PRESSURES & GENERAL NOTES

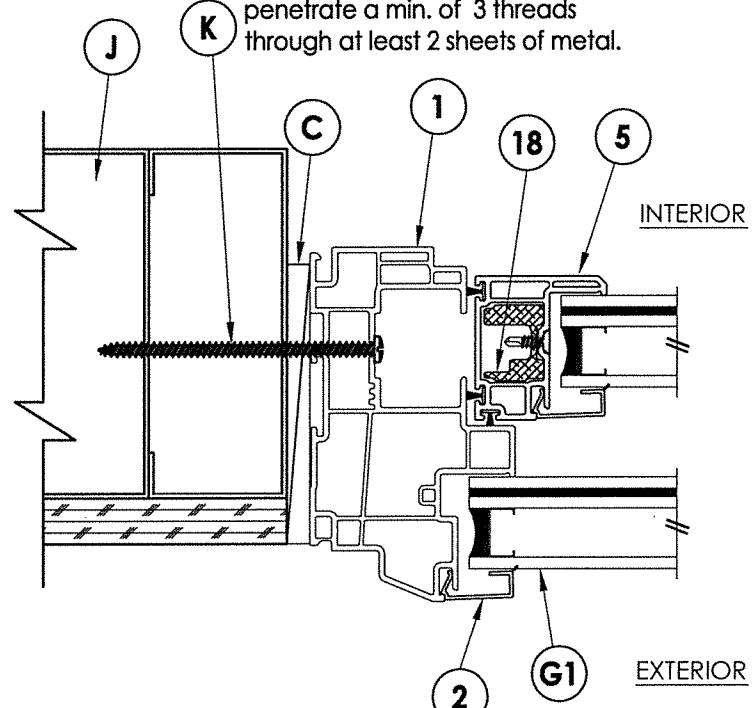
NO.	DATE	BY	REVISIONS

DATE: 4/12/18  
SCALE: N.T.S.  
DWG. BY: JK  
CHK. BY: LFS  
DRAWING NO.: FL-26906.1  
SHEET 1 OF 5

R:\Clients\Sunrise Windows\A - Florida Product Approvals\FL-26906 - 7220 Single Hung Coastal Window\C - Drawings\FL 26906 (2017)\FL-26906.dwg, 2-5

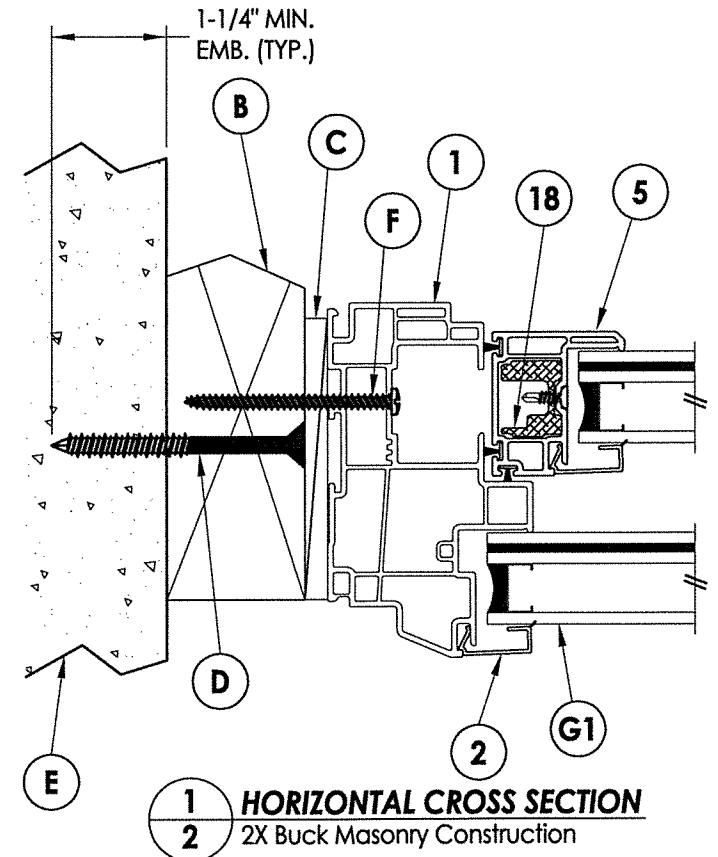


NOTE: Sheet Metal Screws must penetrate a min. of 3 threads through at least 2 sheets of metal.

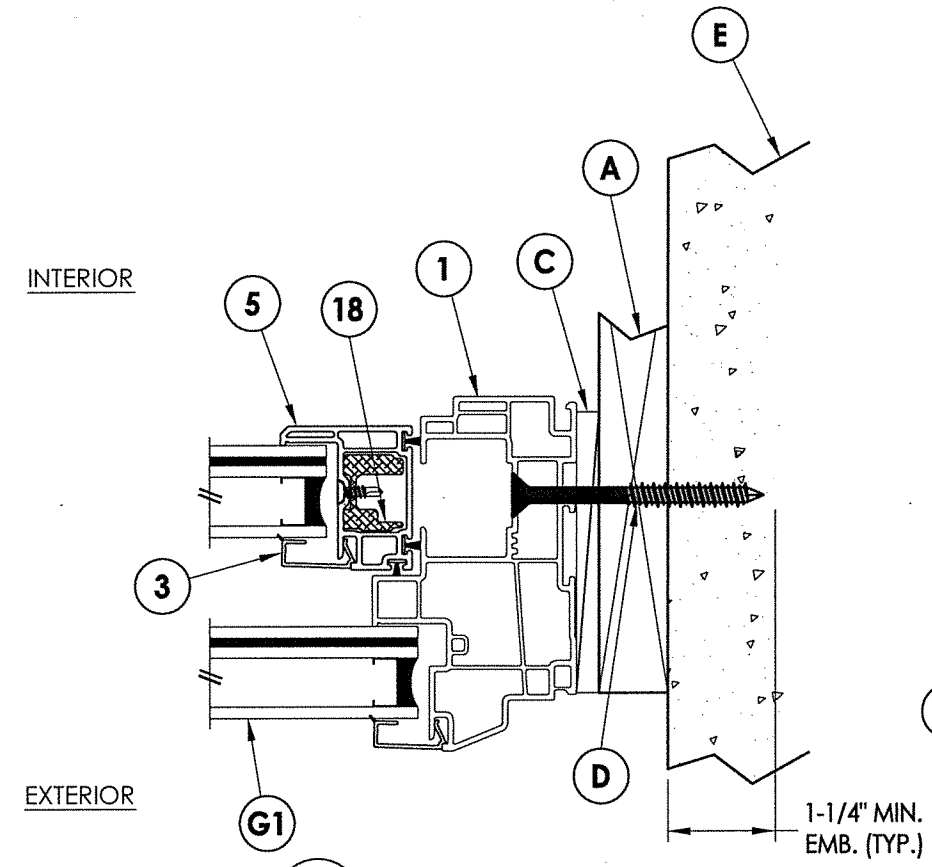


**4 HORIZONTAL CROSS SECTION**  
2 Metal Stud Construction

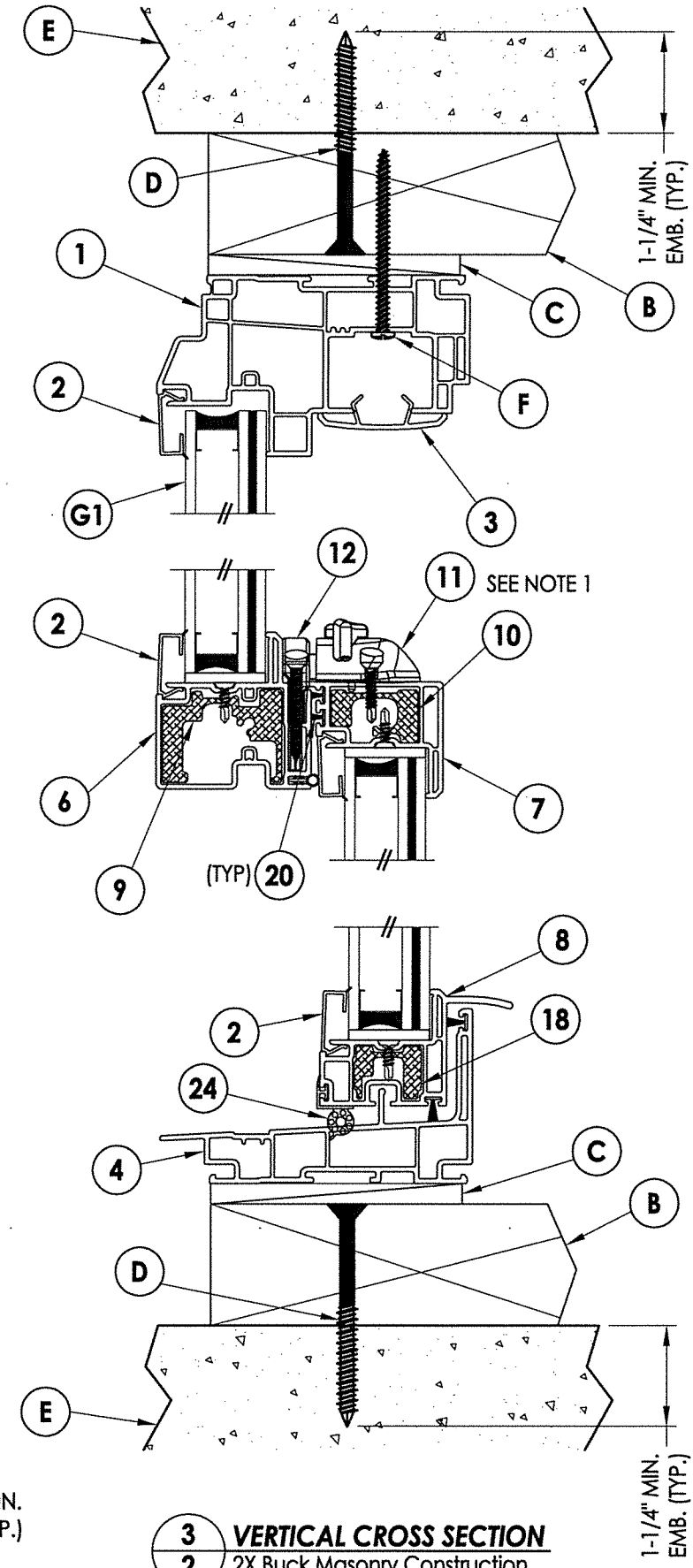
Note:  
1. Lock and keeper located 7" from each end of lock/meeting rail.



**1 HORIZONTAL CROSS SECTION**  
2 2X Buck Masonry Construction



**2 HORIZONTAL CROSS SECTION**  
2 1X Buck Masonry Construction



**3 VERTICAL CROSS SECTION**  
2 2X Buck Masonry Construction

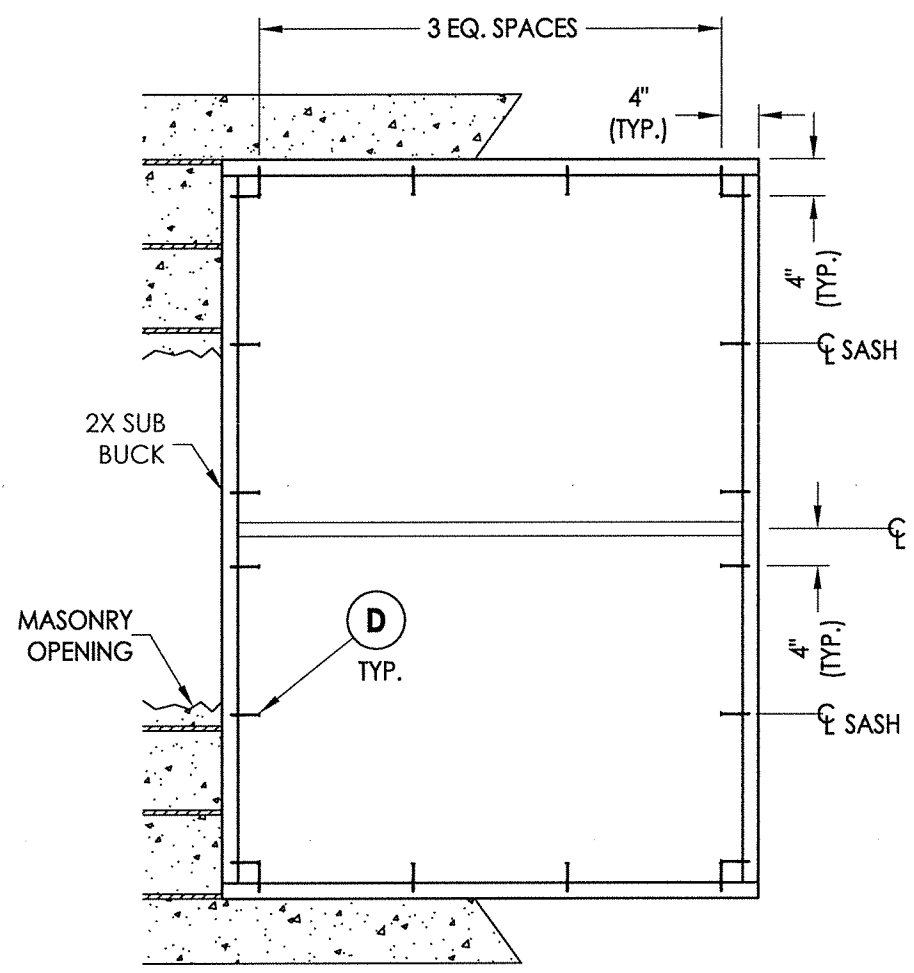
**FLORIDA PROFESSIONAL ENGINEER**  
L. F. SCHMIDT  
No. 43409  
4.9.18

Documents Prepared By:  
Lyndon F. Schmidt  
P.E. No. 43409

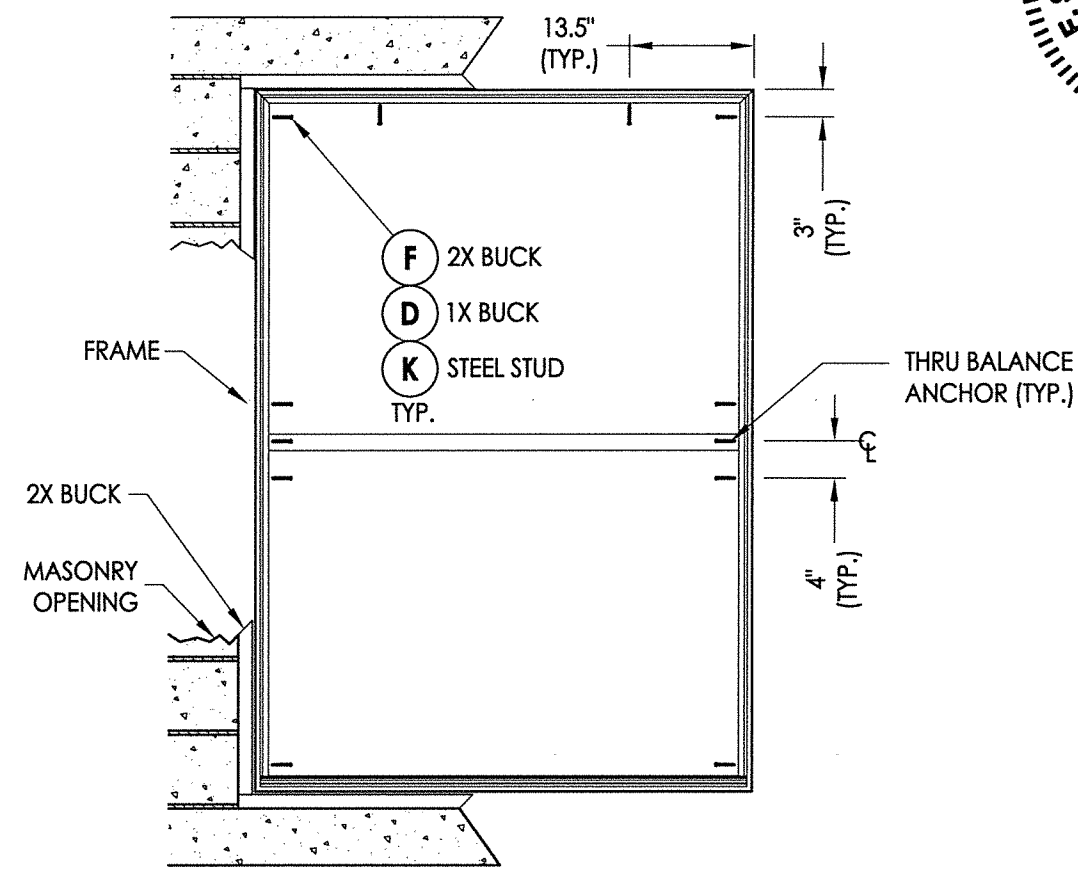
**R.W.** BUILDING CONSULTANTS, INC.  
P.O. Box 230, Valrico, FL 33595  
Phone No.: 813.659.9197  
FBPE C.A. No. 9813

PRODUCT:	SINGLE HUNG WINDOW
PART OR ASSEMBLY:	VERTICAL & HORIZONTAL CROSS SECTIONS
NO.	DATE
BY	REVISIONS
DATE:	4/12/18
SCALE:	N.T.S.
DWG. BY:	JK
CHK. BY:	LFS
DRAWING NO.:	FL-26906.1
SHEET	2 OF 5

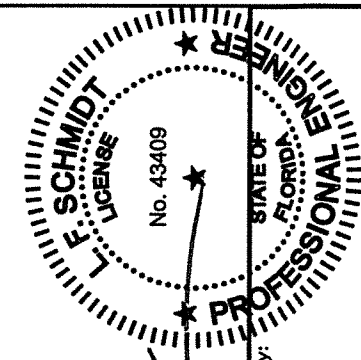
© 2018 R.W. BUILDING CONSULTANTS INC.



**BUCK ANCHORING**



**FRAME ANCHORING**



*LFS*  
4-19-18

Documents Prepared By:  
Lyndon F. Schmidt  
P.E. No. 43409

**R.W.** BUILDING CONSULTANTS, INC.  
P.O. Box 230, Valrico, FL 33595  
Phone No.: 813.659.9197  
FBPE C.A. No. 9813

PRODUCT: SINGLE HUNG WINDOW

PART OR ASSEMBLY:  
BUCK & FRAME ANCHORING

NO.	DATE	BY

DATE: 4/12/18  
SCALE: N.T.S.  
DWG. BY: JK  
CHK. BY: LFS  
DRAWING NO.: FL-26906.1  
SHEET 3 OF 5

**CONCRETE ANCHOR NOTES:**

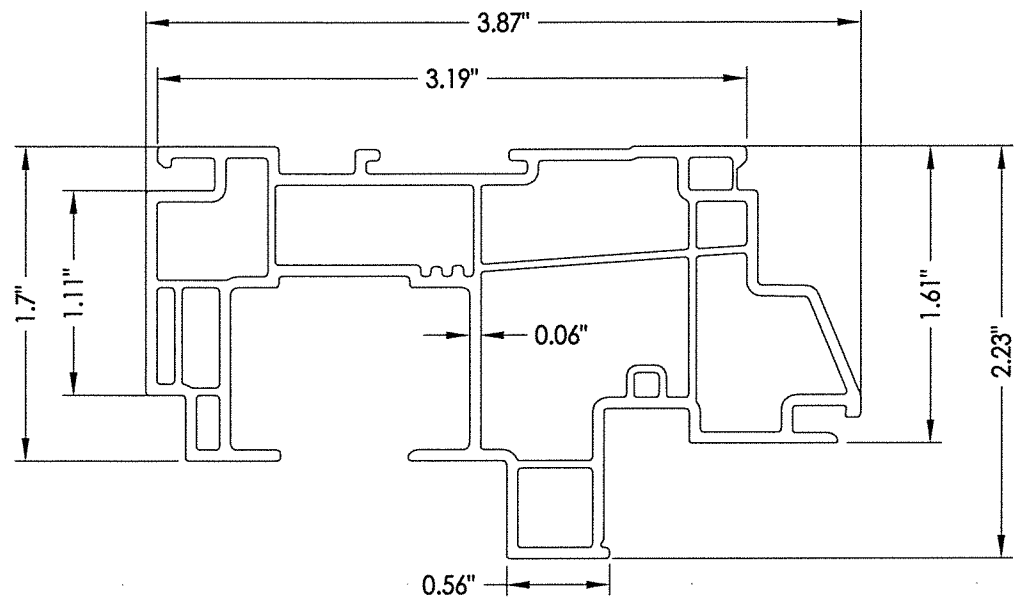
1. Concrete anchor locations at the corners may be adjusted to maintain the min. edge distance to mortar joints.
2. Concrete anchor locations noted as "MAX. ON CENTER" must be adjusted to maintain the min. edge distance to mortar joints, additional concrete anchors may be required to ensure the "MAX. ON CENTER" dimension are not exceeded.
3. Concrete anchor table:

ANCHOR TYPE	ANCHOR SIZE	MIN. EMBEDMENT	MIN. CLEARANCE TO MASONRY EDGE	MIN. CLEARANCE TO ADJACENT ANCHOR
ITW TAPCON®	1/4"	1-1/4"	2"	4"
ELCO ULTRACON®	1/4"	1-1/4"	1"	4"

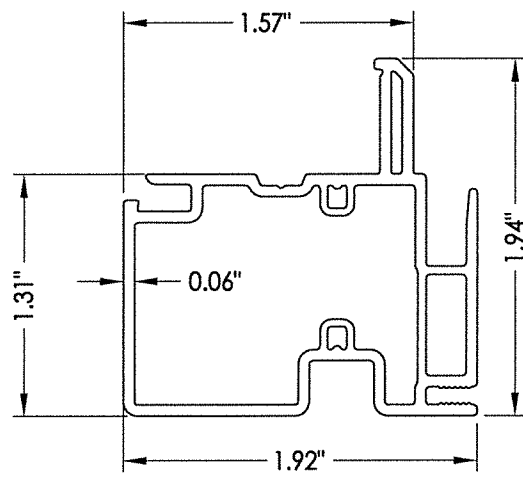
**WOOD SCREW INSTALLATION NOTES:**

1. Maintain a minimum 5/8" edge distance, 1" end distance, & 1" o.c. spacing of wood screws to prevent the splitting of wood.

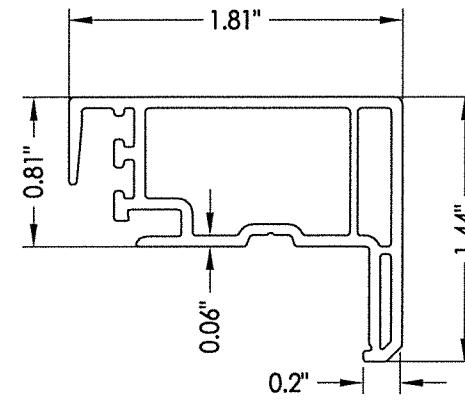
R:\Clients\Sunrise Windows\A - Florida Product Approvals\FL-26906 - 7220 Single Hung Coastal Window\C - Drawings\FL 26906 (2017)\FL-26906.dwg, 4-5



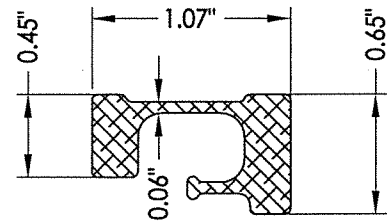
**1** FRAME



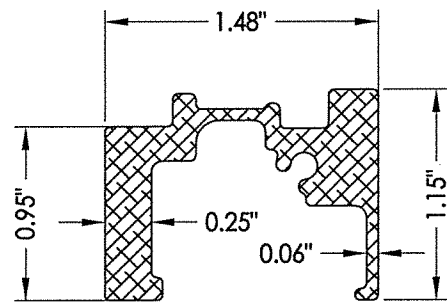
**6** MEETING RAIL



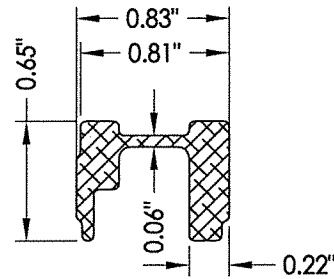
**7** LOCK RAIL



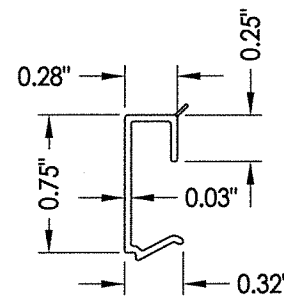
**10** LOCK RAIL REINFORCEMENT



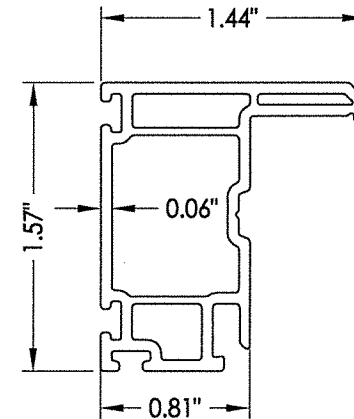
**9** MEETING RAIL REINFORCEMENT



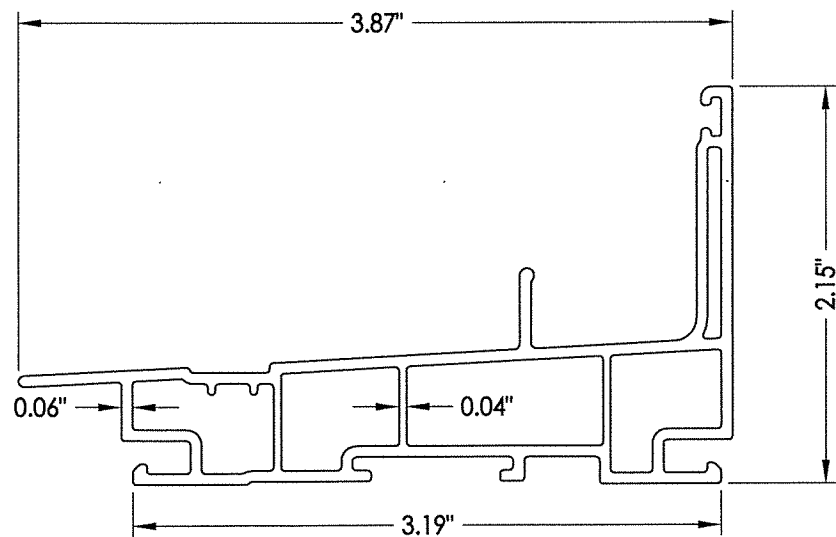
**18** STILE/BOTTOM RAIL REINFORCEMENT



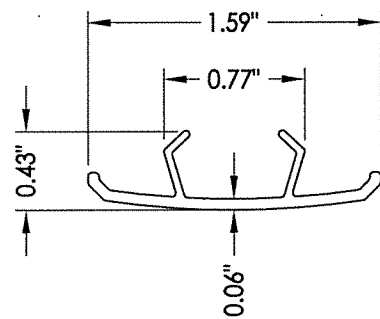
**2** GLAZING BEAD



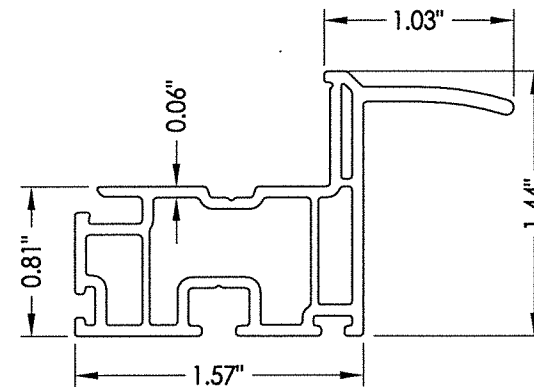
**5** STILE



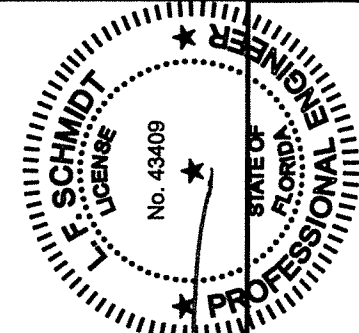
**4** SILL



**3** HEAD ADAPTER



**8** BOTTOM RAIL



Documents Prepared By:  
Lyndon F. Schmidt  
P.E. No. 43409

*RW*  
BUILDING CONSULTANTS, INC.  
P.O. Box 230, Vairico, FL 33595  
Phone No.: 813.659.9197  
FBPE C.A. No. 9813

PRODUCT: SINGLE HUNG WINDOW	
PART OR ASSEMBLY: COMPONENTS	
NO.	DATE
BY	
REVISIONS	
DATE: 4/12/18	
SCALE: N.T.S.	
DWG. BY: JK	
CHK. BY: LFS	
DRAWING NO.: FL-26906.1	
SHEET 4 OF 5	

